

产品名称: PV1000 系列 光伏熔断器

Product Type: PV1000 Series Photovoltaic Fuse links

应用领域: 太阳能电池板、光伏汇流箱

Application: Solar Panel Application、PV combiner box

1. 适用范围 / Scope of Application

REOMAX PV1000 太阳能电路保护保险丝专门针对光伏（PV）系统产品而设计。该小型保险丝系列（10x38 mm）可安全保护 PV（光伏）模块和导体，使其免受反向过电流的影响。随着光电（PV）系统应用规模的扩大，其对应的电压要求也提高了。系统电压增大通常都是为了最大限度地减少与导线过长有关的能耗。标准电路保护装置的设计并不能完全保护光伏板。但是，REOMAX PV1000 系列却能够在这种严苛的电压电平条件下安全地断开故障电路。瑞卓 REOMAX 提供多种额定电流，以满足不同应用的具体要求。

The REOMAX PV1000 Solar Protection Fuse links series has been specifically designed for the protection of photovoltaic (PV) systems, this family of Midget style fuses (10 x 38 mm) can safely protect PV modules and conductors from reverse overcurrent conditions. As PV systems have grown in size, so have the corresponding voltage requirements. This increase in system voltage has typically been intended to minimize power loss associated with long conductor runs. Standard circuit protection devices are not designed to completely protect photovoltaic panels. However, the REOMAX PV1000 series is to safely interrupt faulted circuits up to this demanding voltage level.

REOMAX offers more than 11 ampere ratings to match specific requirements in a variety of applications.

2. 功能与特色 / Features and Benefits

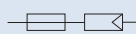

- 符合 UL 光伏规格的设计要求，遵循 UL 2579 认证标准，最大直流电压可达 1000VDC；
- 额定电流范围：1-15 A；
- 分断能力：10,000 A；
- 可提熔断器座夹子、熔断器底座和多管位导轨式熔断器底座两种安装选择。
- Meets UL photovoltaic standards, based on UL 2579, 1000 VDC maximum;
- Rated current: 1-15 A ratings available;
- Breaking capacity: 10,000A;
- Multiple installation options are available: Fuse Clips, Fuse Blocks and Multi-Pole Global Modular Fuse Holders Assembly Kit.

3. 目录编号 Catalogue No.

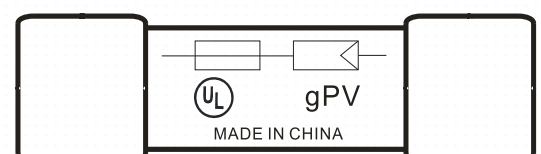
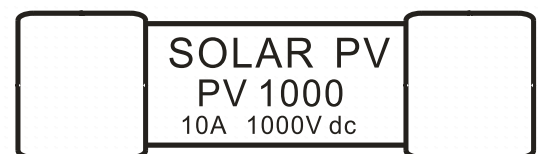
目录编号 Catalog No.	额定电流 Rated Current	额定电压 Rated Voltage	分断能力 Breaking Capacity	焦耳积分 I ² t (A ² S)		功率损耗 Watts Loss(W)	
				Pre-Arcing	Total at 1000V	0.8I _n	1.0I _n
PV1000.1A	1A	1000V (DC)	10kA, Time Constant <1ms	0.15	0.4	0.8	1.5
PV1000.2A	2A			1.3	3.4	0.7	1.1
PV1000.3A	3A			4	12	0.8	1.3
PV1000.3.5A	3.5A			6.5	20	0.9	1.4
PV1000.4A	4A			10	28	1.1	1.4
PV1000.5A	5A			19	50	1.1	1.4
PV1000.6A	6A			32	93	1.2	1.8
PV1000.8A	8A			3.2	33	1.2	2.2
PV1000.10A	10A			30	70	1.3	2.3
PV1000.12A	12A			50	200	1.5	2.8
PV1000.15A	15A			60	230	1.8	3

4. 产品标示 / Product Marking

保险丝管体上需有下列标示。 / The fuses body shall have the following markings. 示例 Example:

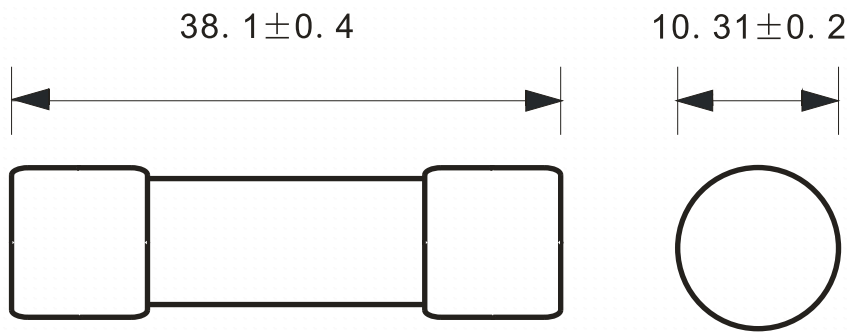
REOMAX	SOLAR PV	PV 1000	10A			gPV	Made in China
①	②	③	④	⑤	⑥	⑦	⑧

①	制造厂商标识/Reomax Trade Mark: REOMAX
②	熔断器类型/Fuse Application Type: SOLAR PV
③	系列型号名称/Series Type Name: PV 1000
④	额定电流及电/Rated Current & Voltage: __A 1000V dc
⑤	熔断器及光伏保护串符号/ Combination Symbols
⑥	安规认证符号/ Agency Approval Symbols
⑦	标准类别/ gPV Standard
⑧	原产地/Product Origin: Made in China



5. 结构及尺寸 / Dimensions and Structure

单位: 毫米 / Unit: mm



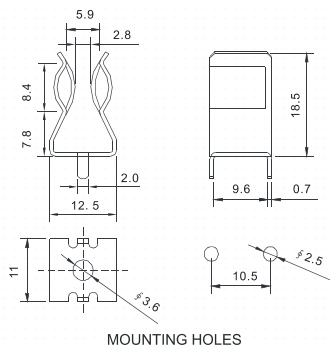
6. 安装建议 / Installation Recommendations

6.1 建议按照如下示意图方式进行安装。

Propose installation way as following picture.

A、保险丝夹子安装 / Fuse clips installation

A: PCB Mount Fuse clips



Mounting
PC Board, 10.5mm pin spacing

Materials
Spring Brass

Unit Weight
3g

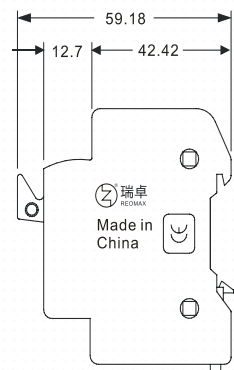
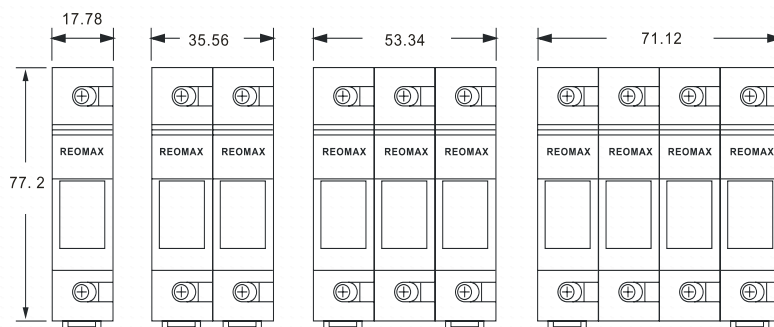
Packaging
Bulk (500pcs)

Spec. Number
Ni plated
bright Sn plated

RoHS

B、导轨式保险丝座安装(1/2/3/4 管位) / Multi-Pole Holders Assembly Kit(1/2/3/4 pole)

B: Multi-Pole Holders Assembly Kit



RoHS

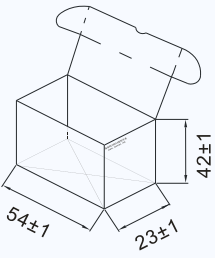
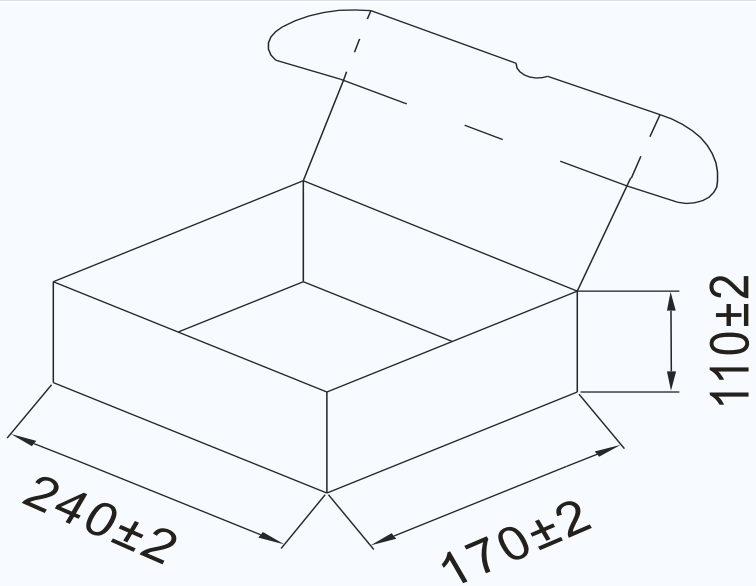
7. 包装 / Packaging

7.1 包装数量 / Packing Quantity

- 每胶袋 10 个保险丝 / Bulk 10 pcs in per poly bag;
- 每盒 1 胶袋 1 个内盒 / 1 poly bags in per inner box;
- 18 个内盒 1 个外箱(每层 6 盒, 共三层) / 18 inner boxes in per outer carton(6 * 3 levels)

7.2 包装箱尺寸 / Packing Size

单位: 毫米 / Unit: mm

A. Inner box:	B. Outer carton:
L54±1 * W23±1 * H42±1	L240±2 * W170±2 * H110±2
	

8. 其他 / Others

8.1 如果在使用中有超出本规格书的要求, 须经双方协商确认。

In the event that an impropriety is found beyond this specification, it shall be fixed by mutual agreement between the parties.

8.2 如果本规格书有不适当的情况, 须通过双方协商并由本公司修改。

In the event that an impropriety is found in this specification, REOMAX ELECTRONICS CO., LTD. shall amend it by mutual agreement between the parties.

1000Vdc, Fuse Holder for PV Fuses PVRH1U Series



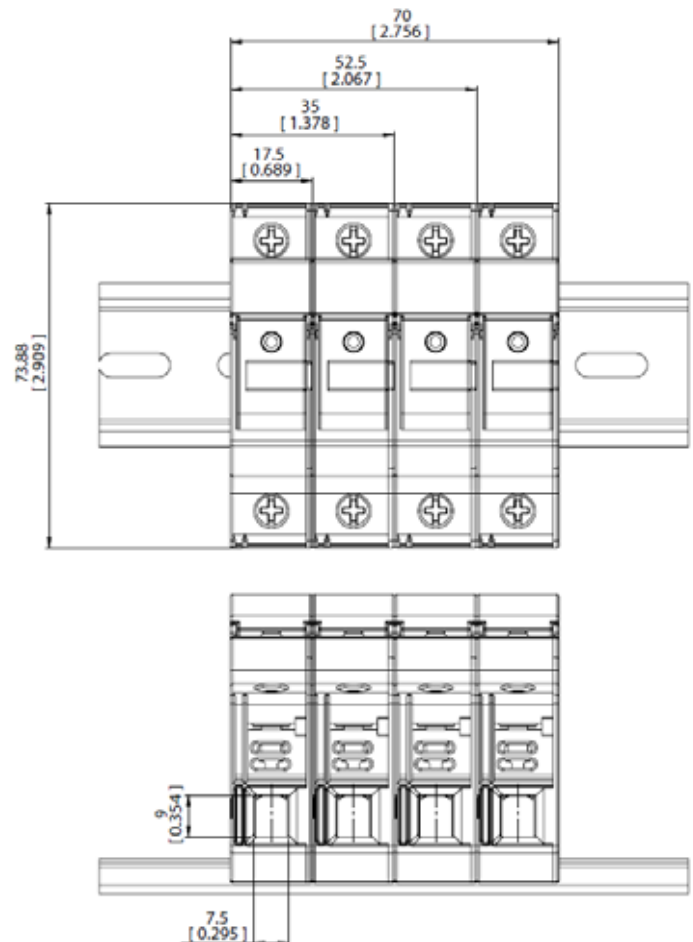
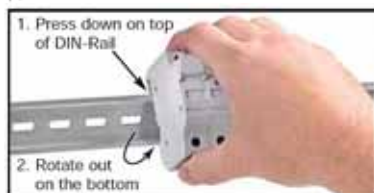
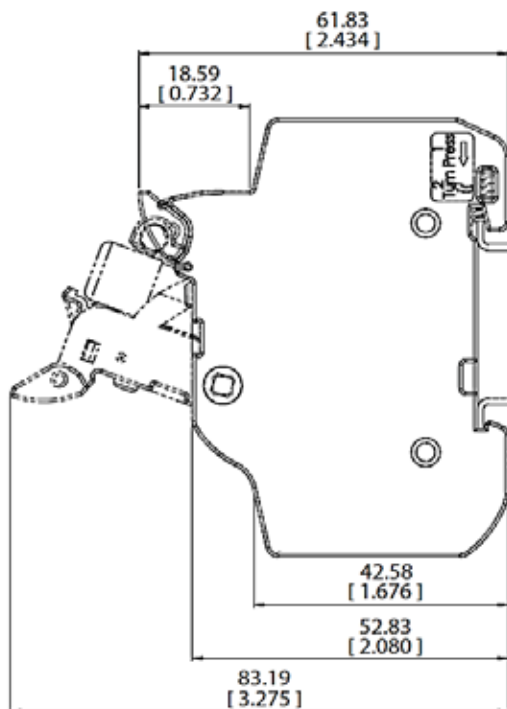
Description

- Agency ratings up to 1000Vdc for use with solar PV fuses.
- Rated for use with 75 or 90 wire, fine stranded wire, spade terminals and comb-bus bars. Use any higher temperature rated wire with appropriate derating.
- Designed to UL 4248-18
- Lead Free and Halogen free material

Specifications

Voltage&Current:	600V/1000VDC, 30A
Terminal Rating:	Solid, Stranded, Fine Stranded, Spade Lug, Comb Bus Bar; Single and Dual Wire; 75 and 90 Cu wire
SCCR Rating:	UL 10kA/1000Vdc; IEC 33kA/1000Vdc
Fuse:	REOMAX fuse PV1000 series
Wire Range:	#18 to #4 (0.8mm ² to 21.1mm ²)
Torque Ratings:	30 Lb-In (3.4 N•m) maximum
Flammability Ratings:	UL 94V0, self-extinguishing
Storage & Operating Temperature Range:	-20 to +120

Dimension mm(inch)



1000Vdc, 10x38mm, Photovoltaic Fuses
PV1000 Series

Description

- 1000Vdc Fuse for Solar Panel Applications
- 10x38mm physical size
- Designed to UL 2579
- Lead Free and Halogen free material

Specifications

Specification							
Part No.	Rated Voltage	Rated Current	Breaking Capacity	Energy Integrals I ² t (A ² S)		Power Loss	
	DC		DC	Pre-Arcing	Total at 1000V	0.8In	1.0In
PV1000.1A	1000V	1A	10kA, Time Constant <1ms	0.15	0.4	0.8	1.5
PV1000.2A		2A		1.3	3.4	0.7	1.1
PV1000.3A		3A		4	12	0.8	1.3
PV1000.3.5A		3.5A		6.5	20	0.9	1.4
PV1000.4A		4A		10	28	1.1	1.4
PV1000.5A		5A		19	50	1.1	1.4
PV1000.6A		6A		32	93	1.2	1.8
PV1000.8A		8A		3.2	33	1.2	2.2
PV1000.10A		10A		30	70	1.3	2.3
PV1000.12A		12A		50	200	1.5	2.8
PV1000.15A		15A		60	230	1.8	3

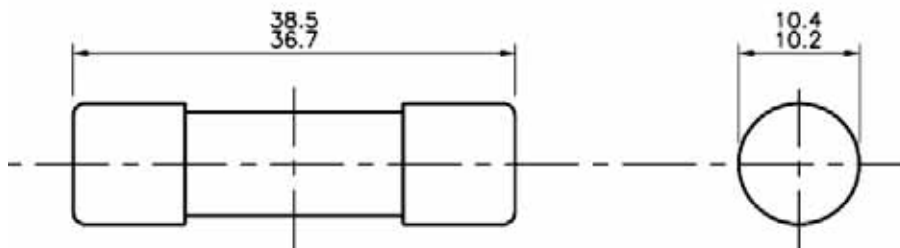
* DC Cold Resistance are measured at <10% of rated current in ambient temperature of 25

* Typical Pre-arching I²t are measured at 10In Current

1000Vdc, 10x38mm, Photovoltaic Fuses PV1000 Series

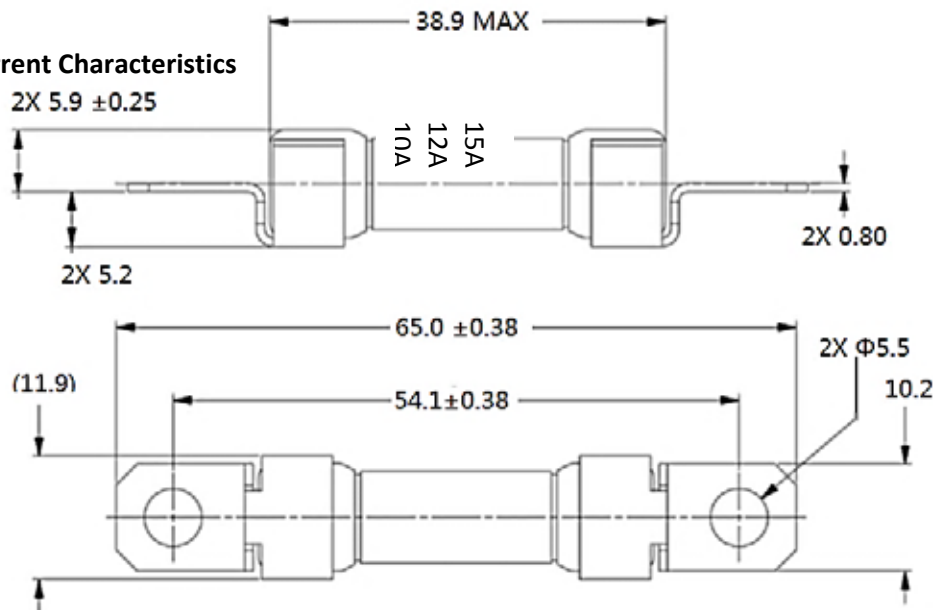
Dimension

Standard cylindrical:



Bolt fixing:

Time-Current Characteristics



Note:

1. Fuse clip: Brass with Tin plating.
2. The clips were soldered on the fuse cap with lead-free solder.

1000Vdc, 10x38mm, Photovoltaic Fuses PV1000 Series

