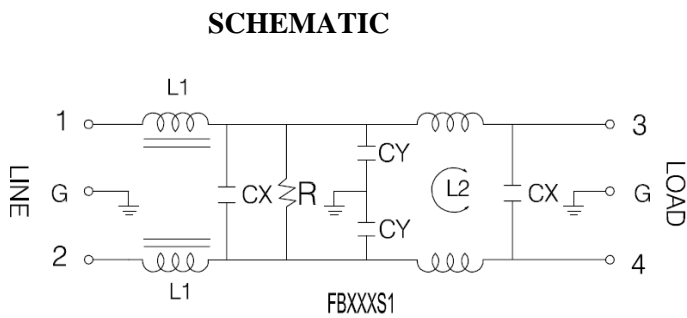
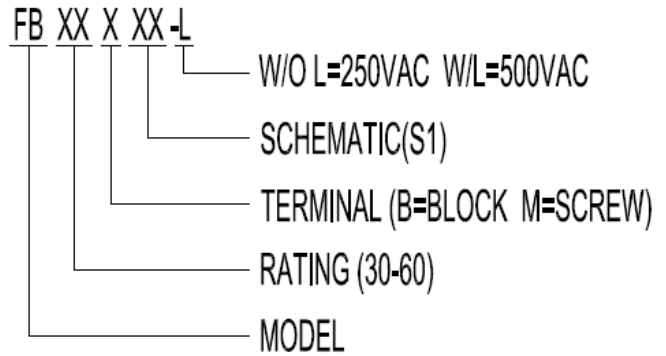


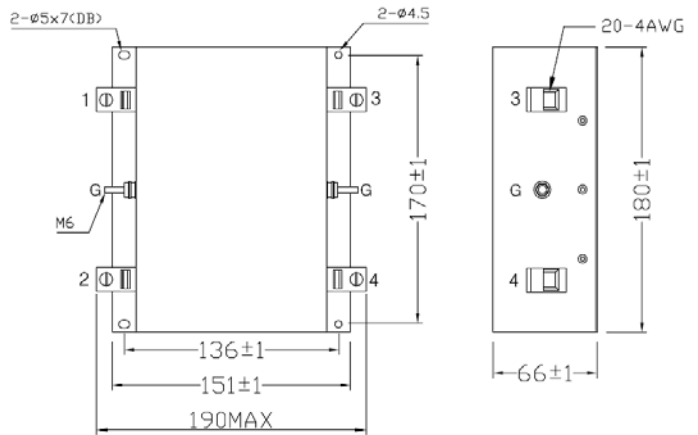
APPLICATION

- CNC / EDM MACHINE
- INDUSTRIAL-APPLICATION
- SWITCHING POWER SYSTEM

ORDERING INFORMATION:

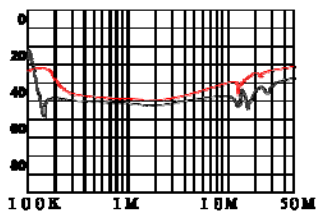
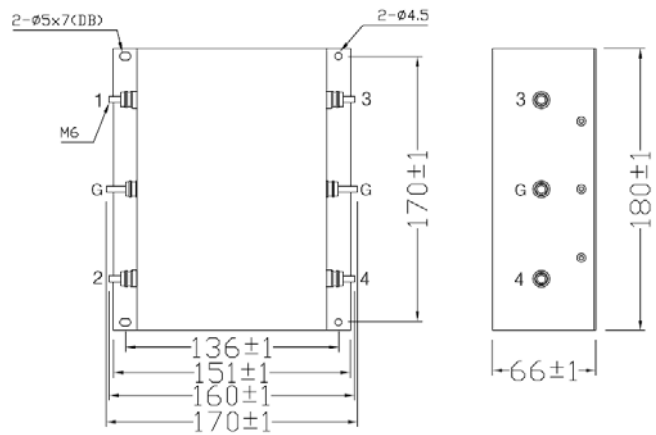


PHYSICAL DIMENSIONS(mm)

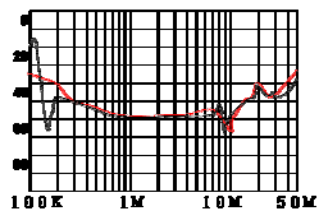


SPECIFICATION

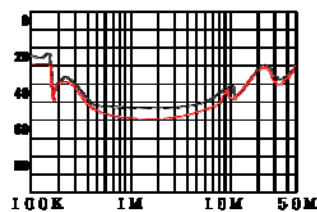
RATED CURRENT	30A/40A/50A/60A
RATED VOLTAGE	250VAC/500VAC
POWER LINE FREQUENCY	50/60Hz
HIPOT RATING LINE TO LINE	1450VDC
HIPOT RATING LINE TO GROUND	2250VDC
LEAKAGE CURRENT	1.0mA MAX
INSULATION RESISTANCE	100MΩ MIN 500V DC
TEMPERATURE RISE	30°C MAX.
OPERATING TEMPERATURE	-25~+85°C



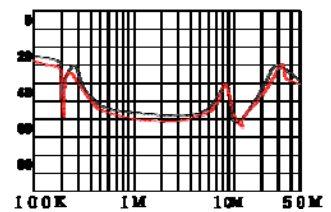
FB30



FB40



FB50



FB60

(— COMM.MODE(L-G)IN HZ —DIFF.MODE(L-L)IN HZ)