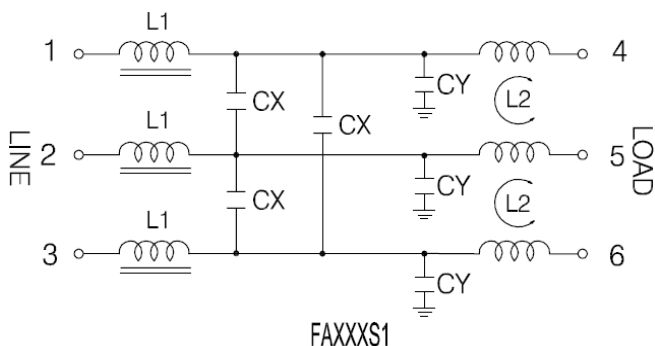




APPLICATION

- CNC / EDM MACHINE
- INDUSTRIAL-APPLICATION
- SWITCHING POWER SYSTEM

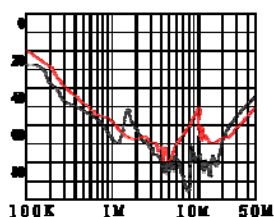
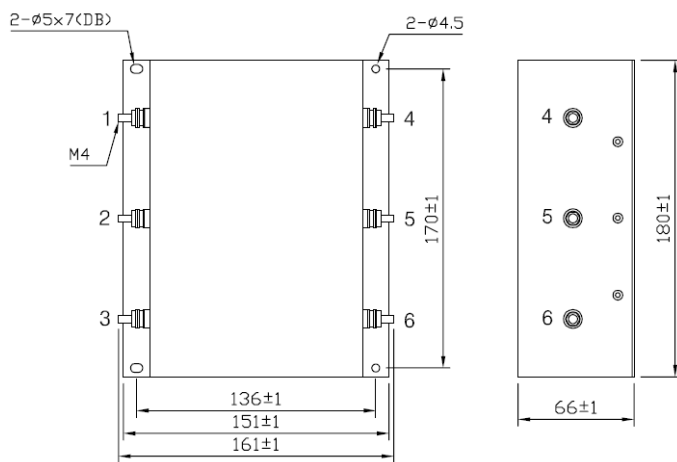
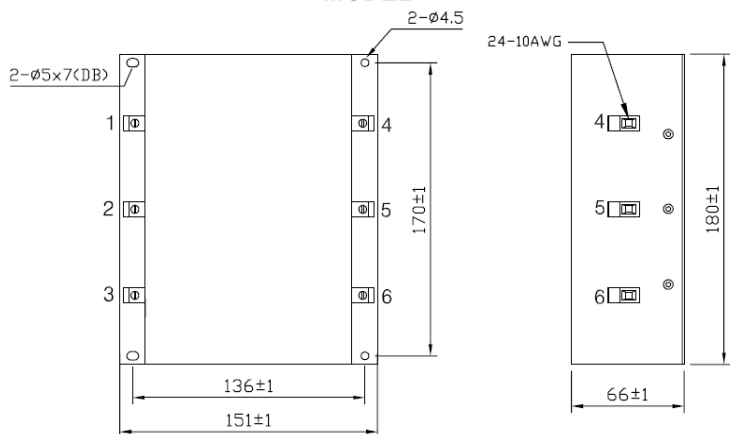
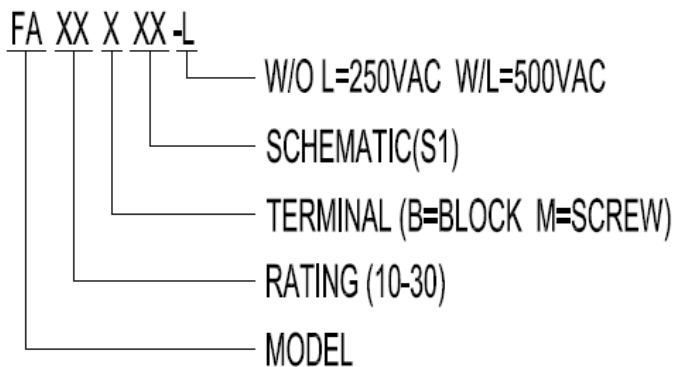
SCHEMATIC



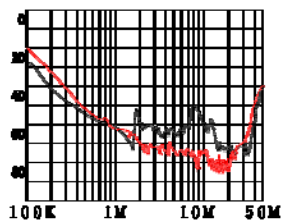
SPECIFICATION

RATED CURRENT	10A/15A/20A/30A
RATED VOLTAGE	250VAC/500VAC
POWER LINE FREQUENCY	50/60Hz
HIPOT RATING LINE TO LINE	1450VDC
HIPOT RATING LINE TO GROUND	2250VDC
LEAKAGE CURRENT	1.5mA MAX
INSULATION RESISTANCE	100MΩ MIN 500V DC
TEMPERATURE RISE	30°C MAX.
OPERATING TEMPERATURE	-25~+85°C

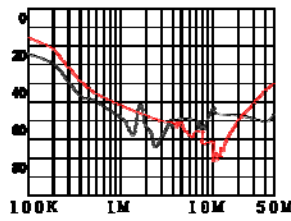
ORDERING INFORMATION:



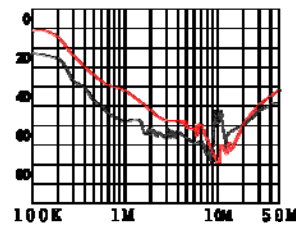
FA10



FA15



FA20



FA30

(— COMM.MODE(L-G)IN HZ —DIFF.MODE(L-L)IN HZ)